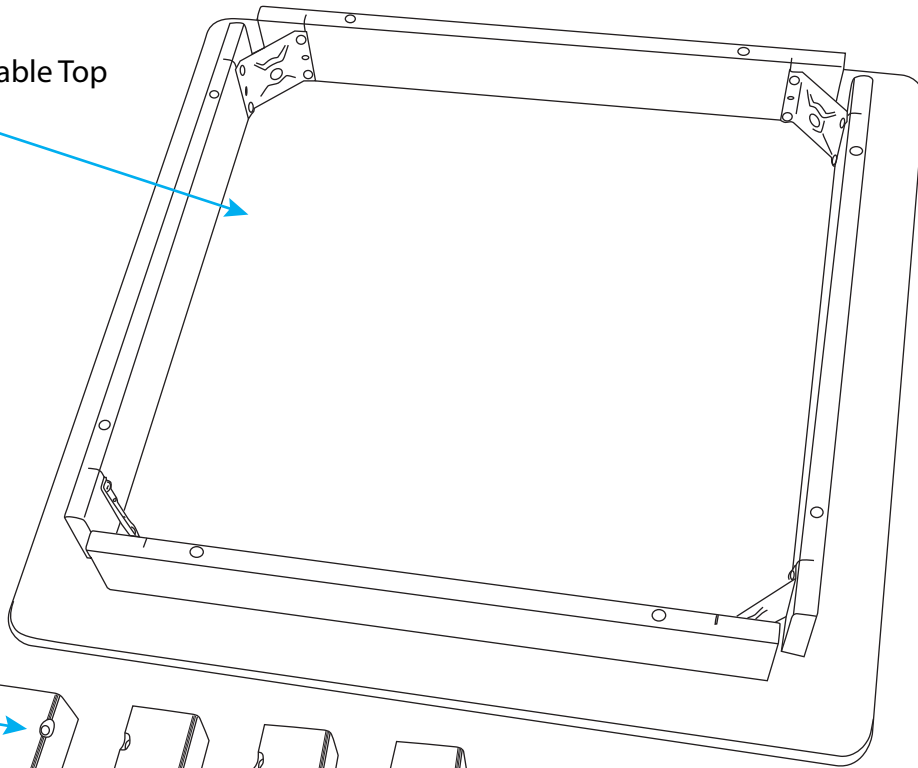
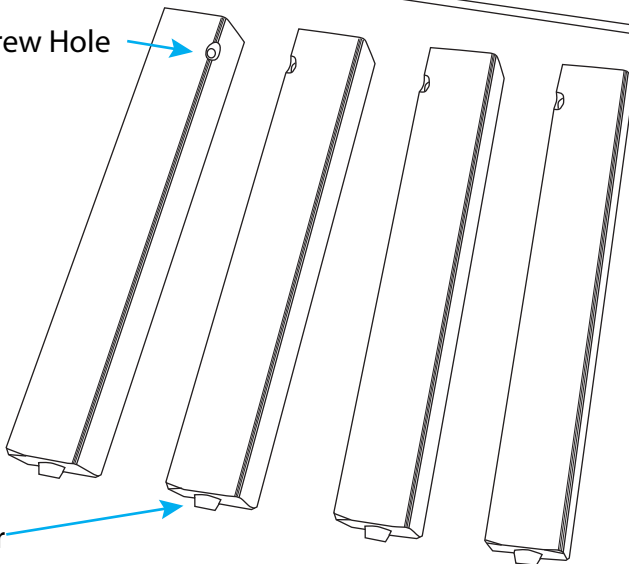


Under side of the Table Top
with fixtures



Screw Hole

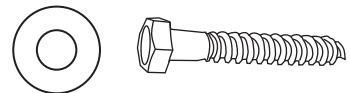


Four Legs with screw hole
and plastic foot cover

Foot cover

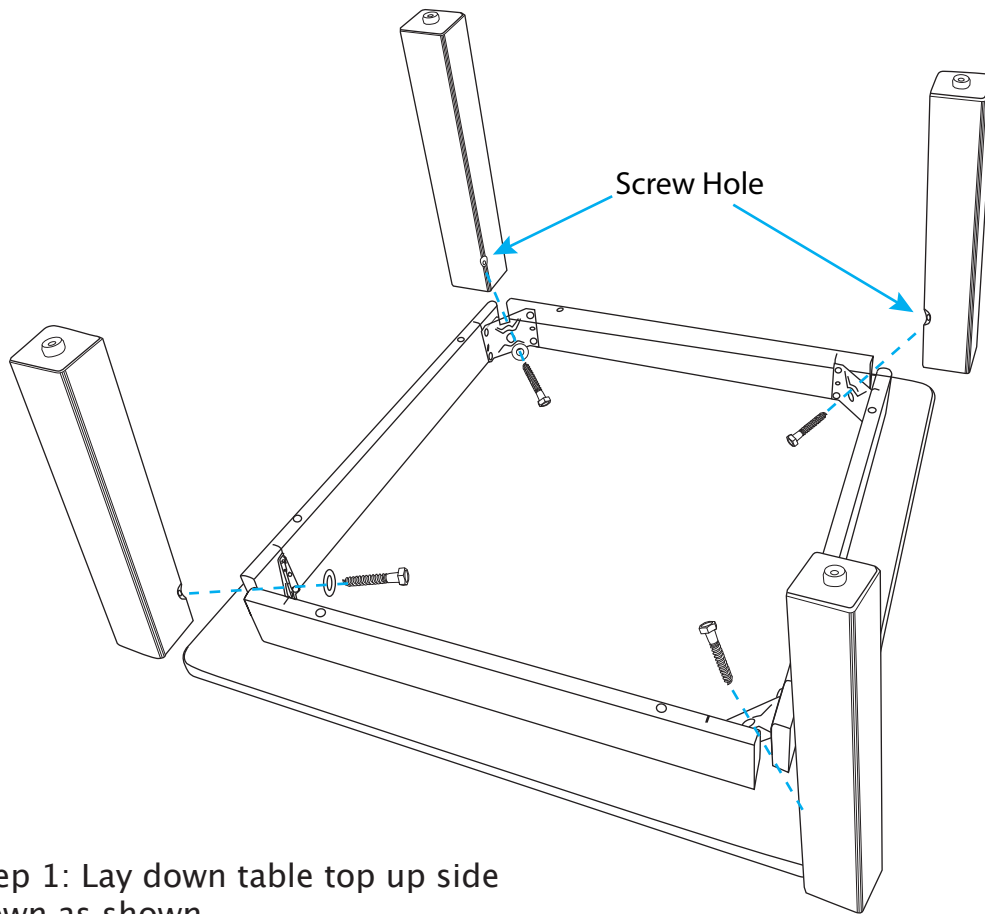
Unpack the box and check the parts and accessories prior installation.
Place all wooden parts on carpeted area to avoid damage or scratch on surface.

Accessories & Tools required:



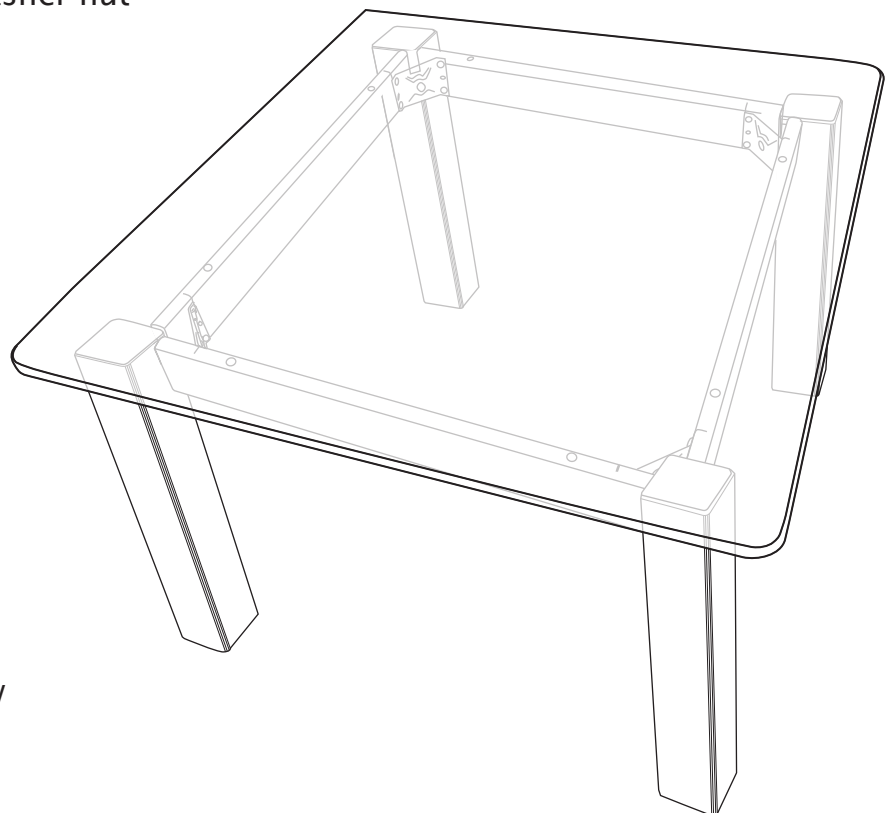
Aluminum washer nut and Screw QT-4:4





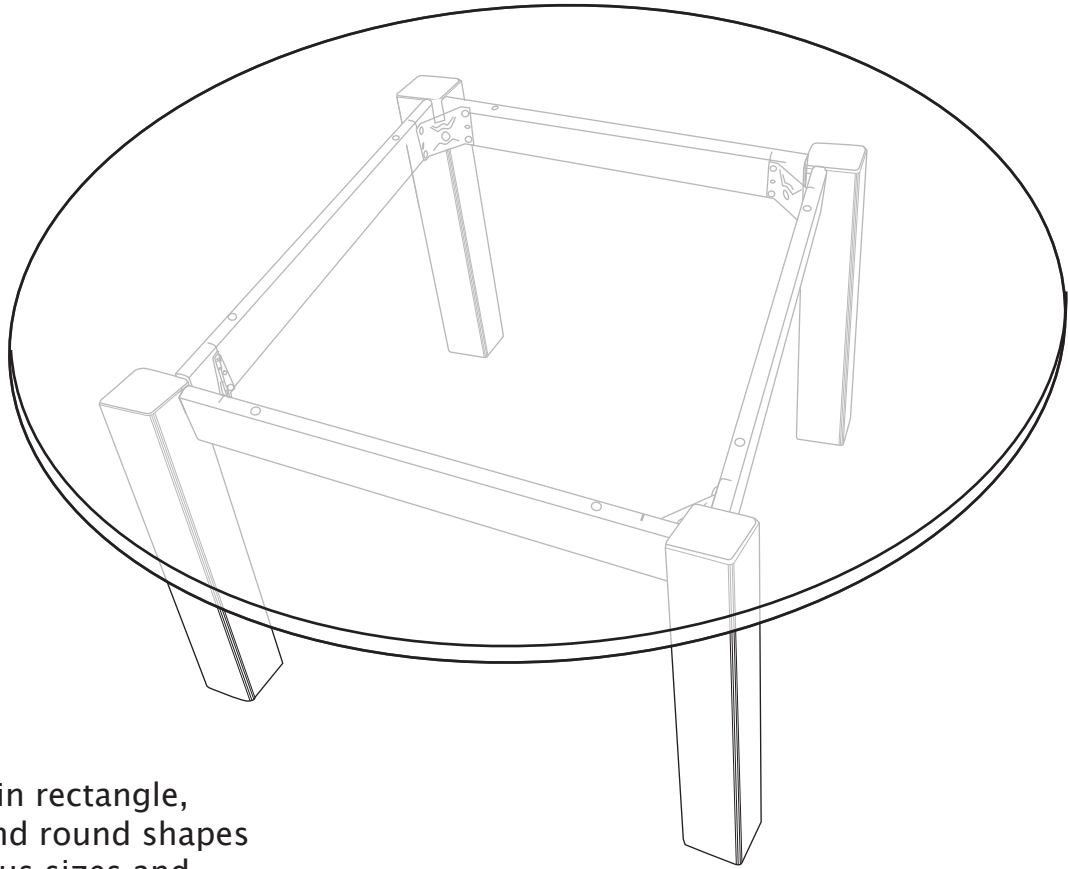
Step 1: Lay down table top up side down as shown.

Step 2: Attach Aluminum washer nut and Screw with Wrench.

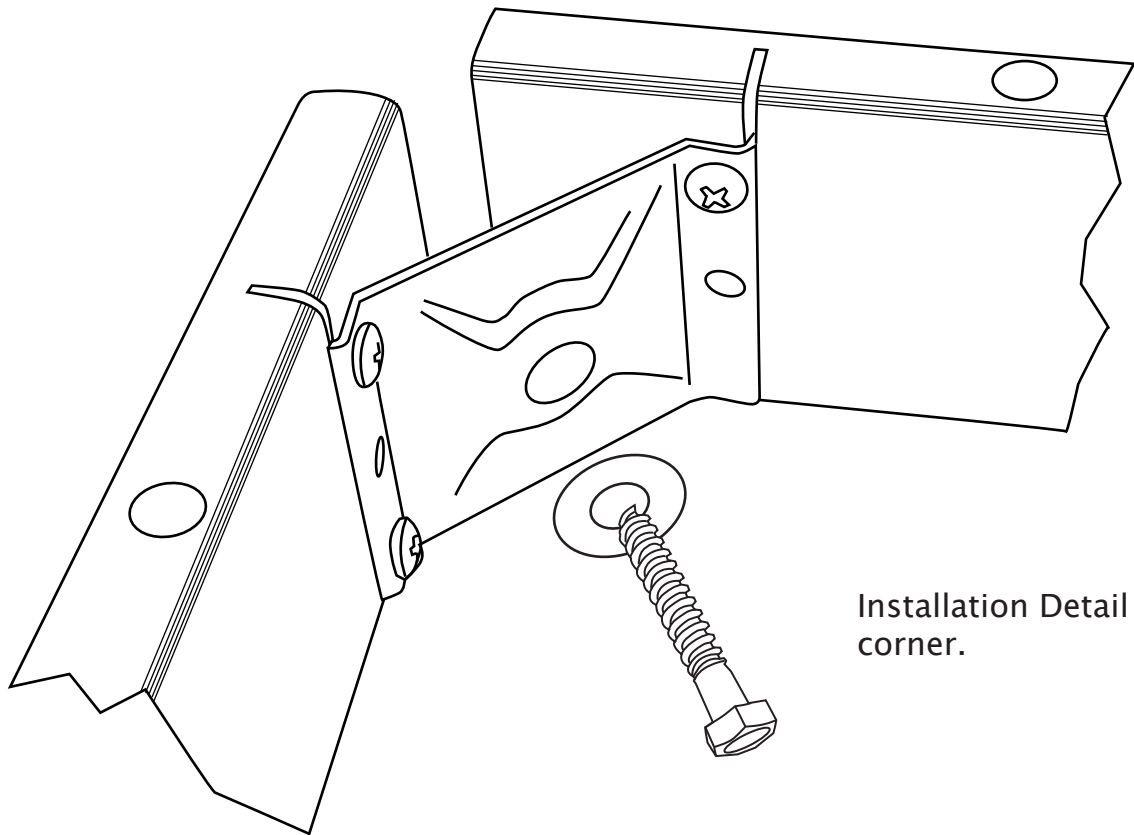


Complete Installation view.
(Right side up).
All other sizes of tables will
be assembled in same
manner.

*Translucent view is to show
the position of fixture



Available in rectangle,
square, and round shapes
with various sizes and
heights.



Installation Detail in the
corner.